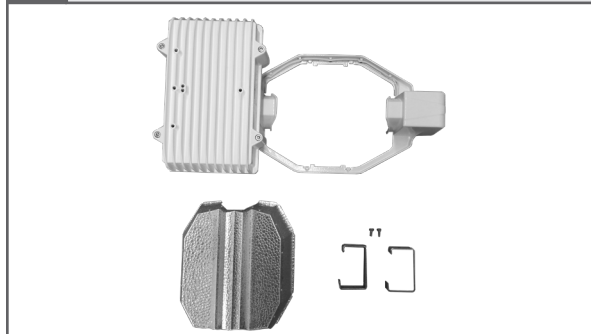
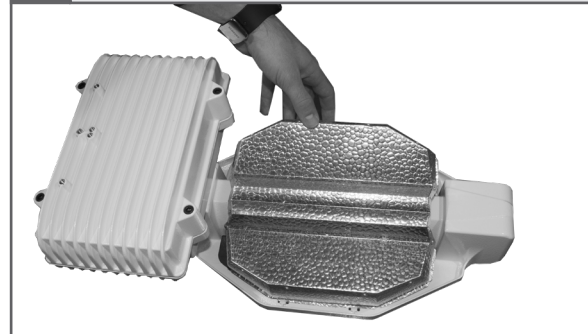


1 Prepare Light Fixtures



- Arrange boxed light fixtures on floor in specified mounting locations; remove fixtures and mounting accessories from boxes.

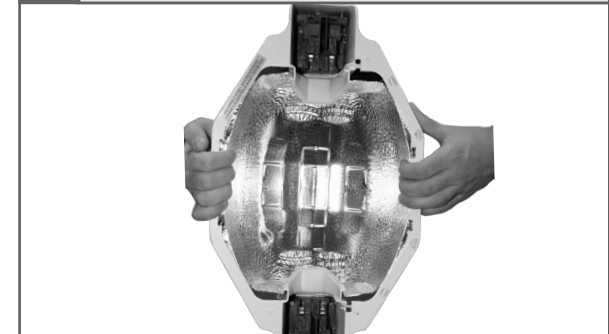
2 Insert Reflector into Collar



- Slide reflector into collar at an angle, so that outer rim is inserted beneath the collar tabs.

Note: Wear cotton gloves or wash hands thoroughly with soap & water to remove any grime/oils before handling reflector.

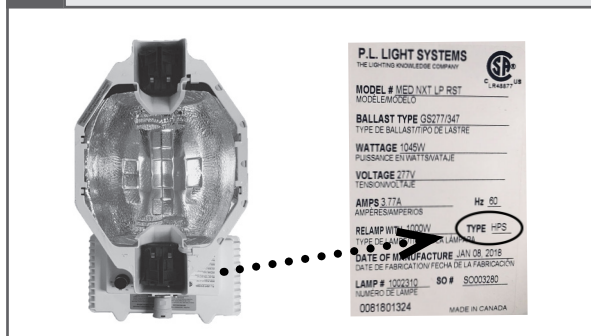
3 Adjust and Secure Reflector



- Using both hands, adjust the reflector from the inside, by gently pressing outwards until the outer rim fits securely beneath the collar tabs on all sides.

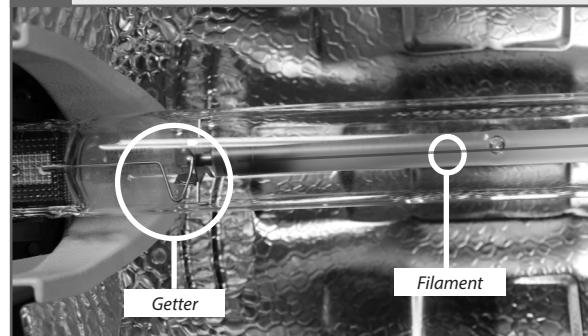
Note: Wear cotton gloves or wash hands thoroughly with soap & water to remove any grime/oils before handling reflector.

! IMPORTANT



- Always check the fixture label prior to installing a Metal Halide (MH) lamp to ensure your fixture is compatible.
- Always ensure that the lamp is “open-rated” when installing a MH lamp.

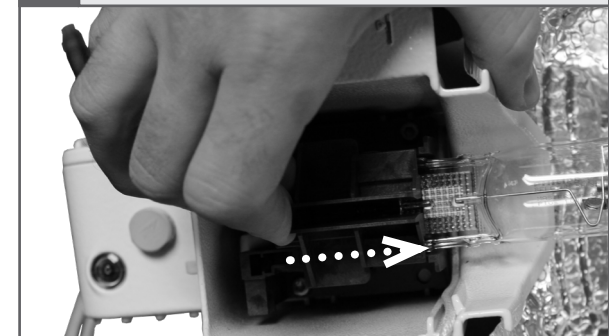
4A Install Lamp



- Slide the plastic locks outwards.
- Install lamp, ensuring side with “getter” is closest to electronics compartment. If lamp is HPS, ensure burner filament is on top (away from reflector).

(Note: Always wear cotton gloves when handling double-ended lamps.)

4B IMPORTANT

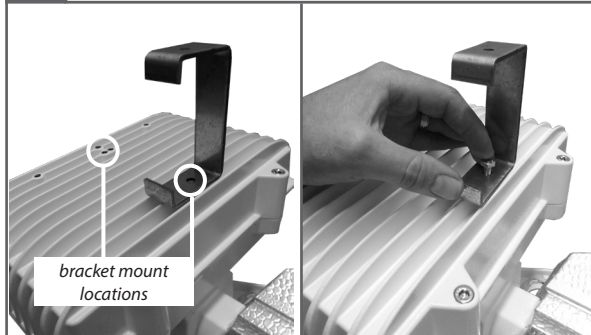


- Slide lamp holder locks back in place to secure lamp.
- Ensure that the sliding mechanism has fully closed against the stop stop, as loose connections may cause arcing—potentially creating a fire risk and/or voiding warranties.

! ATTENTION: Install in accordance with national and local building and electrical codes. !

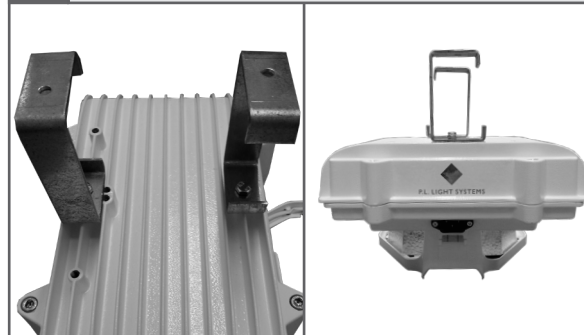


5A Install Mounting Brackets



- Position first mounting bracket so that hole aligns with relevant bracket mount location.
- Thread screw through the hole in the bracket and tighten down.

5B



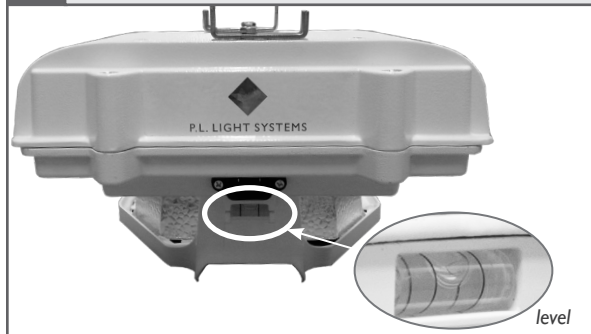
- Position second mounting bracket so that it is facing the opposite direction to the first.
- Align the hole aligned with relevant bracket mount location.
- Thread screw through the hole in the bracket and tighten down.

6 Hang Fixture



- Raise fixture to ceiling at a 45° angle to the mounting structure, then rotate it parallel so that both brackets are aligned above mounting structure.
- Lower fixture so that both brackets securely hook over top of mounting structure.

7 Level Fixture



- Use integrated level on back of the housing to adjust the light fixture. Fixture is level when spirit level bubble is centered.

8 Complete Electrical Connection



- Connect power cord from power supply to fixture.



ATTENTION: Install in accordance with national and local building and electrical codes.

